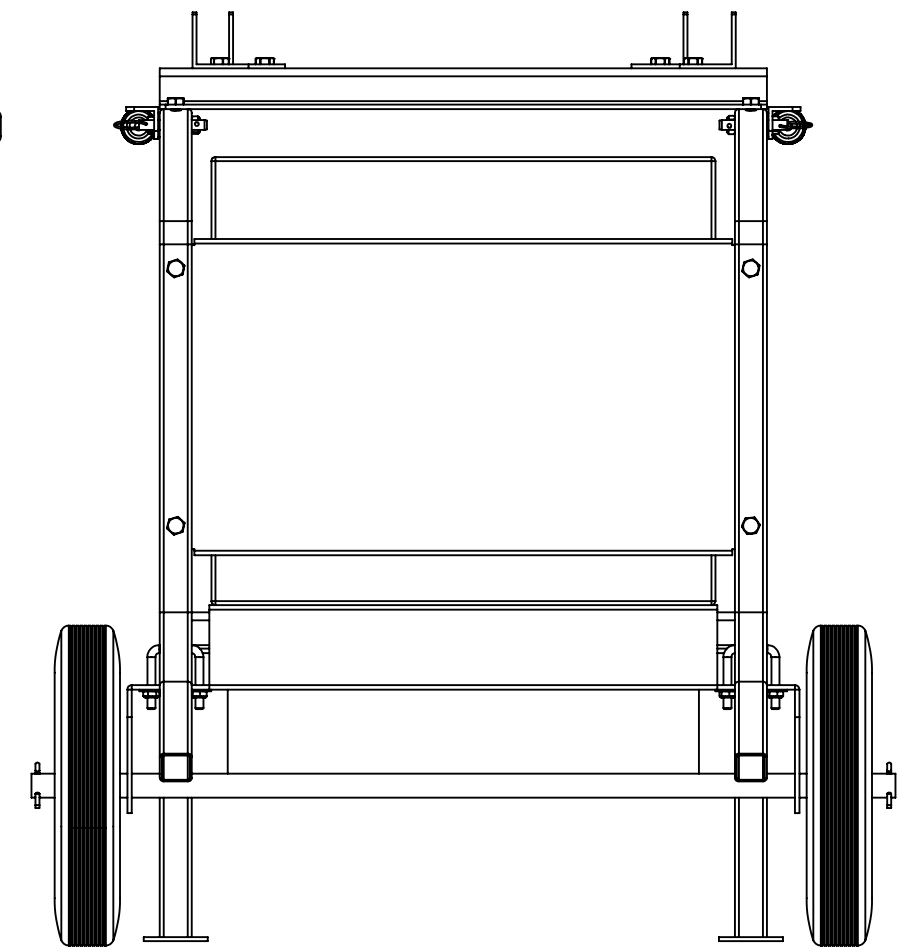
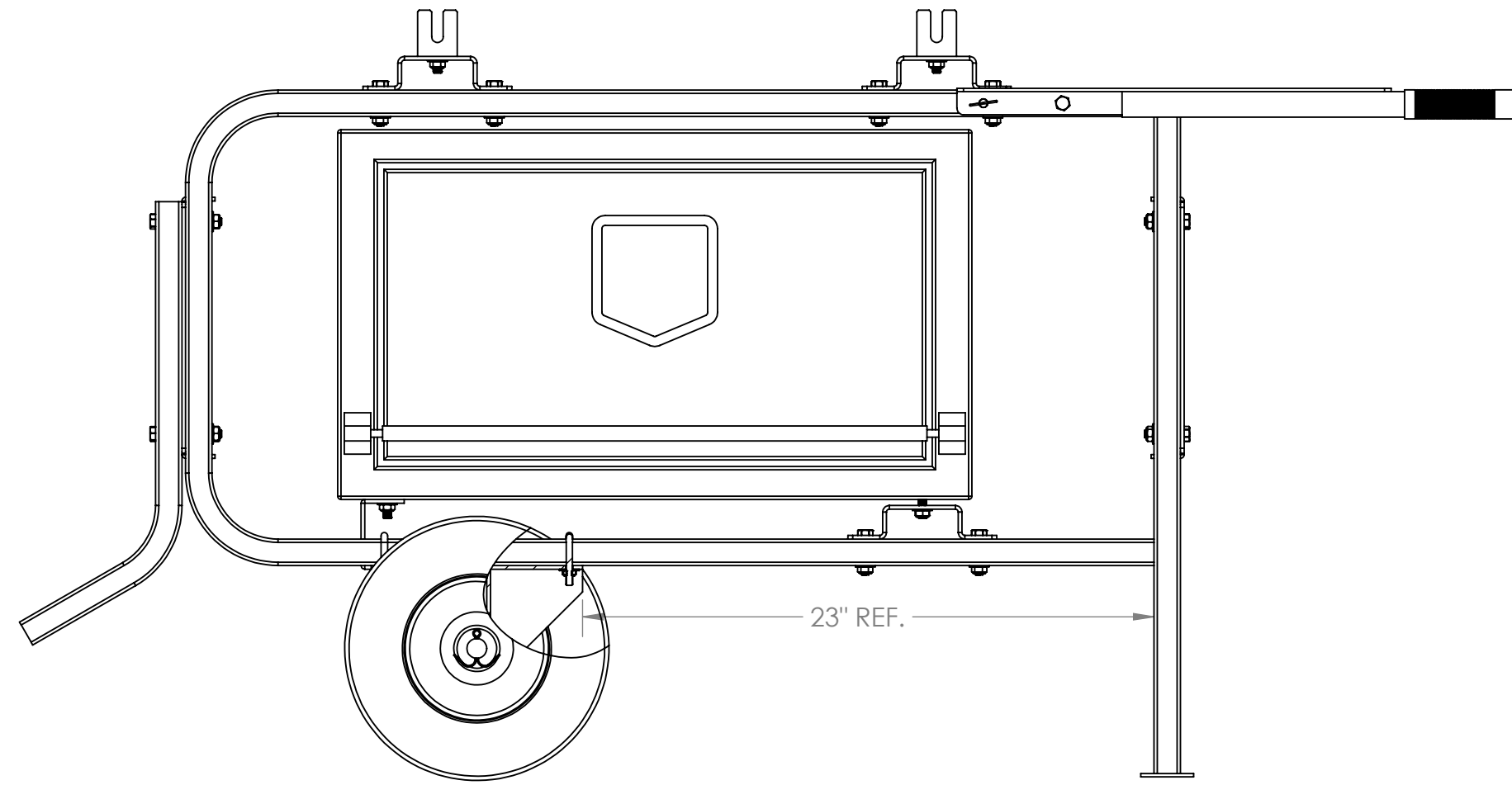
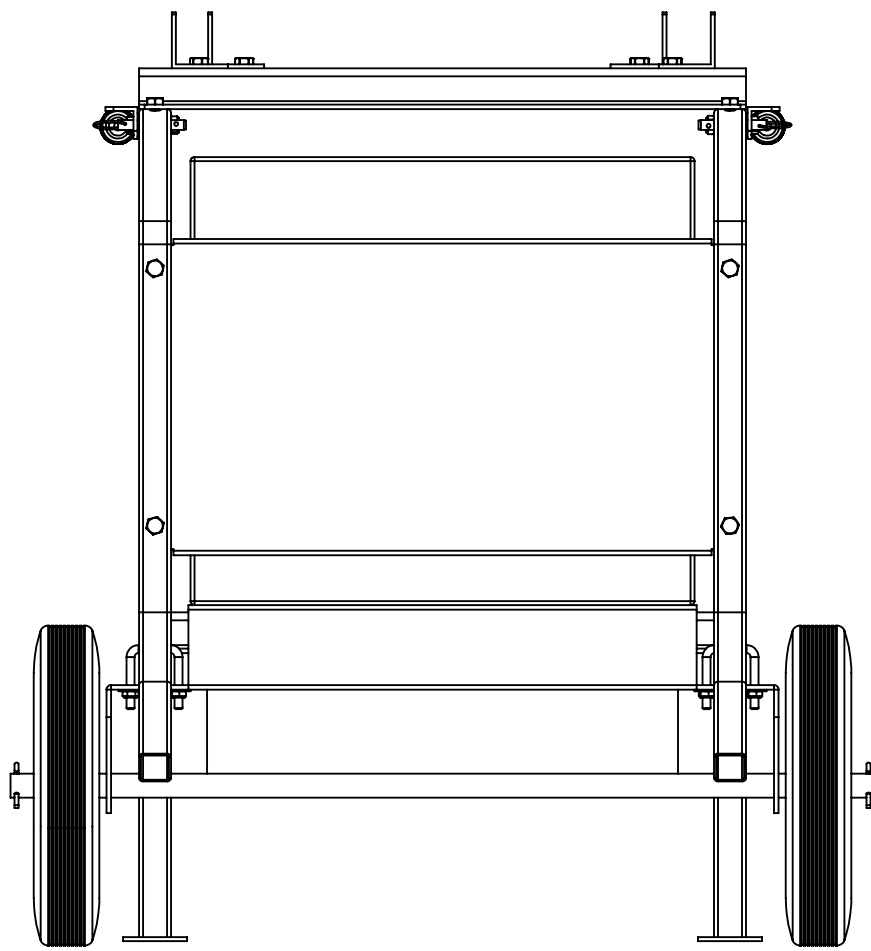
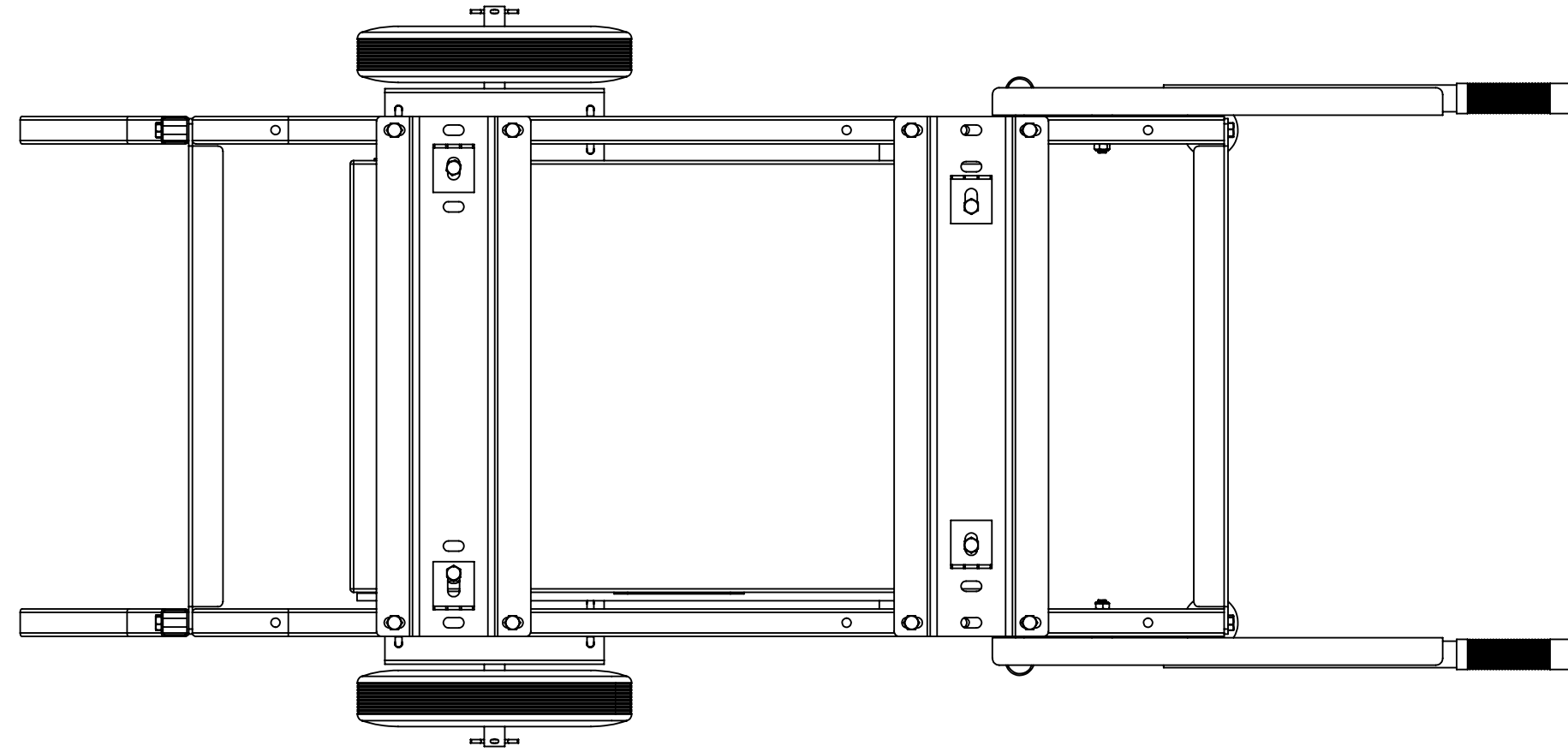


REVISIONS			
REV.	DESCRIPTION	DATE	APPROVED
B	C 1084 REVISED & RELEASED DRAWING	1/5/2007	BCS



PROPRIETARY AND CONFIDENTIAL
 THE INFORMATION CONTAINED IN THIS DRAWING IS THE SOLE PROPERTY OF WHEELER REX. ANY REPRODUCTION IN PART OR AS A WHOLE WITHOUT THE WRITTEN PERMISSION OF WHEELER REX IS PROHIBITED.

UNLESS OTHERWISE SPECIFIED:
 TOLERANCES:
 FRACTIONAL: ± 1/32
 ANGULAR: ± 1/4°
 TWO PLACE DECIMAL ± 0.15
 THREE PLACE DECIMAL ± 0.005

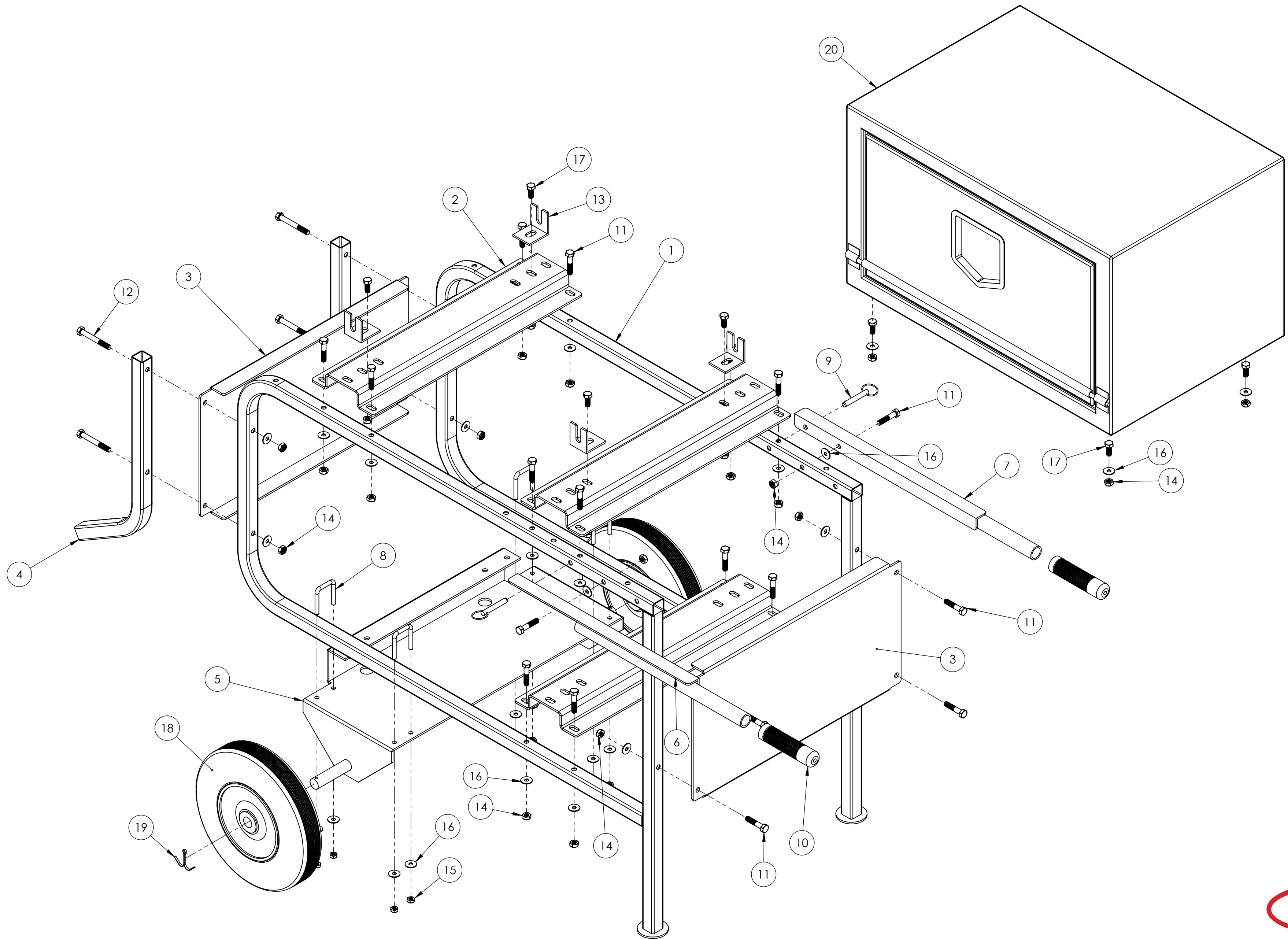
MATERIAL:
 NOTED
 FINISH:
 NONE
 DO NOT SCALE DRAWING

DRAWN BY: B STRIGHT
 DATE: 1/5/07
 SCALE: 1:6
 USED ON:

REV
B
 SHEET 1 OF 2
C SIZE

WHEELER REX

3744 Jefferson Rd., Ashtabula, OH 44005
 DESCRIPTION:
 WHEELED CART w/ TOOL BOX, 6790
 PART NO. **60507**



WHEELED CART w/ TOOL BOX, 6790

PART NO.

60507